

## UV Lamp Replacement

To replace a lamp, proceed as follows, referring to Figure 1.

1. Turn power to UV Monitor "off". Disconnect power cord from wall outlet.
2. Unplug the optics module from the rear panel of the unit.

**Warning:** Failure to unplug the optics module from the control unit may expose the user to high voltage circuitry and UV radiation.

3. If the UV lamp has been on, allow the optics module to cool for 10 minutes before continuing.
4. Remove the filter tray and flow cell.
5. Remove the screws holding the optics module together and remove the bottom half of the case.
6. Pull the old UV lamp out of its holder and unplug it from its connector.
7. Plug the new UV lamp into its connector and insert it into the lamp holder. Never handle the quartz surface of the UV lamp. Grease and fingerprints will destroy the lamp. If the lamp is accidentally touched, clean it with alcohol.
8. Reassemble the optics module. Carefully replace the rubber gasket to prevent light leaks. Replace the bottom half of the case. Tighten screws at opposite corners evenly until snug. Do not overtighten. Replace the flow cell and the filter tray.
9. Connect the flow cell to the system and fill the flow cell with degassed water or buffer. Turn the UV Monitor on and allow the lamp 20 minutes to warm up.
10. Zero the UV monitor and observe a steady baseline.

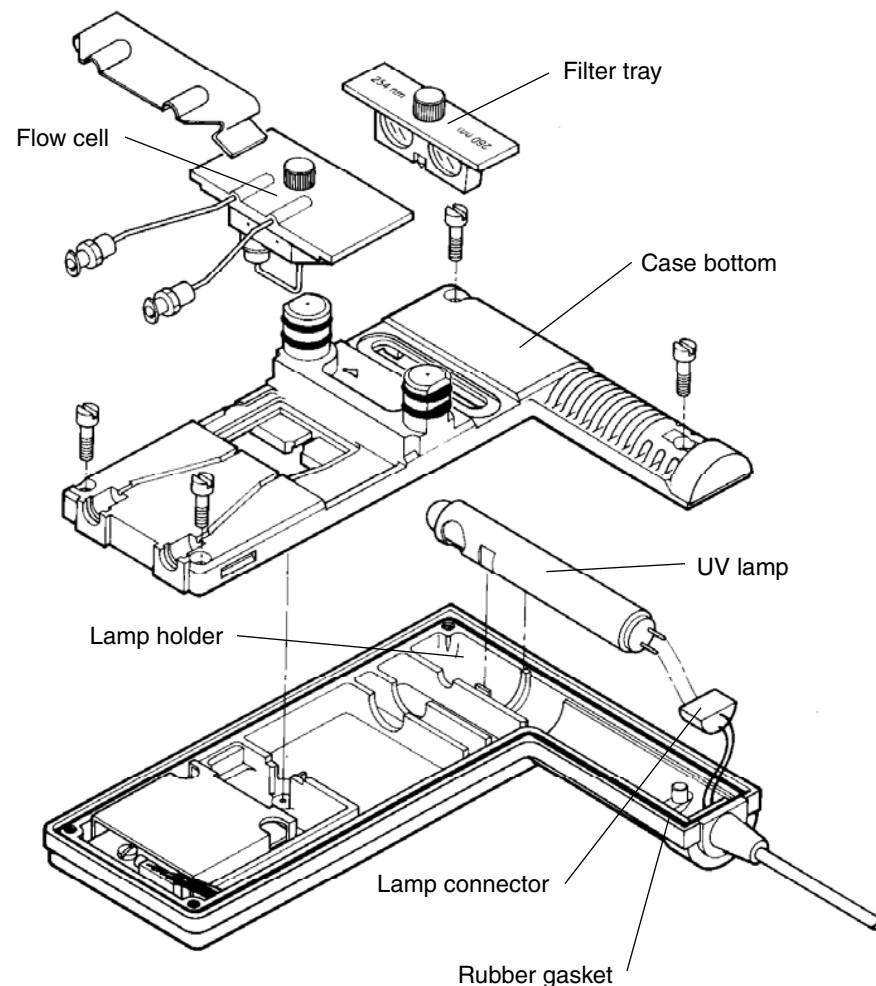


Fig. 1. Lamp assembly.